

Our associates will ensure the tool works properly before you leave the store. If you experience issues with the tool while completing your project, simply bring it back to the Tool Rental Center to get a replacement. If you purchase Damage Protection at the time of your rental, you are not responsible for repair costs for tools that break due to normal use.



DOSKO

M2961090A

MODEL NUMBER: 2961090

SERIAL NUMBER: _____

Owner's Manual

Instructions for Operation, Maintenance

Compact Stump and Root Grinder

2961090 (200-6H)

Your Dosko grinder is intended for outdoor-use only and can be used to remove many tree stumps and exposed root systems close to ground level. By moving the blade in sweeping movements laterally over the top and front of the stump, you can gradually grind it away. Make sure you completely read and understand this manual before using the grinder for the first time.

WARNING

READ and UNDERSTAND this manual completely before using the grinder! Failure to properly operate, and maintain this grinder could result in *serious injury or death* to the operator or bystanders. All machines have hazards associated with their operation. This stump grinder has certain special hazards, which you must be aware of. As an operator or owner you have a duty to be aware of these hazards and know preventive measures to take to avoid them. When reading this manual pay particular attention to avoiding these hazards.

In particular, be aware of the following:

- **Know location of buried electrical and other utility lines.**
- **Do not allow children or untrained adults to operate.**
- **Wear eye protection and other personal protection against flying rocks and debris.**
- **Check that cutter wheel teeth are secured, sharp and not missing.**
- **Do not operate if operator presence bar fails to stop engine upon release.**
- **Make sure no children or bystanders are within 75 feet of stump grinding operation.**
- **Protect cars, windows and other objects within 75 feet from flying debris.**
- **Be prepared for machine "kickback" when initially contacting the stump.**
- **Be aware of potential for carbon monoxide (CO) poisoning.**
- **Prevent fires/explosions from fueling.**
- **Do not attempt to perform adjustments, declog or clean unit while engine is running.**
- **Avoid burns from engine or hot exhaust.**
- **Avoid using in wet or icy conditions where falls may occur.**

Details about these hazards are found throughout the manual and are summarized at the end of the manual under "Important Safety Information."

STOP!

ADD ENGINE OIL: Your stump grinder comes fully assembled and requires only that you add engine oil to crankcase and fuel to tank.

INSPECT COMPONENTS: Closely inspect to make sure no components are missing or damaged. See the "Receiving Your Unit" section for instructions on whom to contact to report missing or damaged parts.

Any Questions, Comments, Problems, or Parts Orders
Call your dealer or Dosko Customer Service 1-800-822-0295

Hazard Signal Word Definitions






	<p>This is the safety alert symbol. It is used to alert you to potential personal injury hazards. Obey all safety messages that follow this symbol to avoid possible injury or death.</p>
	<p>DANGER (red) indicates an imminently hazardous situation which, if not avoided, will result in death or serious injury.</p>
	<p>WARNING (orange) indicates a potentially hazardous situation which, if not avoided, could result in death or serious injury.</p>
	<p>CAUTION (yellow) indicates a potentially hazardous situation which, if not avoided, may result in minor or moderate injury.</p>
	<p>CAUTION (yellow) used without the safety alert symbol indicates a potentially hazardous situation which, if not avoided, may result in property damage.</p>

fig01453

Table of Contents

Part I. Introduction

About Your Grinder	4
Safety Decal Locations	5
Safety Decals	6
Receiving Your Unit	7
Machine Component Identification	8

Part II. Operation

Operation:

1. Pre-Start Check List & Procedures	9
2. Starting the Grinder.....	12
3. Stopping the Engine.....	13
4. Grinding the Stump.....	14
5. Refueling.....	15
6. Storing the Machine.....	16
Specifications	24

Part IV: Important Safety Information

Summary of Important Safety Information	25
Special Safety Information on Static Electricity	28

About Your Grinder

Thank you for purchasing or renting your Dosko grinder!

Owner/Operator/Renter Training

Read and follow all instructions and safety precautions presented throughout this manual. A summary of important safety information can be found at the end of the manual. Keep this manual for reference and review. **If the owner of this unit is different than the operator, give a copy of this manual to any operator to read.**

Rental Companies

All persons to whom you rent/loan this grinder must have access to this manual and read it. Check the tube on the side of the unit to make sure a manual is inside. Advise all persons who will operate the machine to read it. You should also provide personal instruction on how to safely operate the grinder and remain available to answer any questions a renter/borrower might have. If videos are available, have renter watch training video.

Engine Instructions

For detailed Engine operation and maintenance information, always refer to the engine Owner's Manual furnished with the grinder.

Product Suitability

Before using, the user shall determine the suitability of this product for this intended use and assumes liability therein.

Your Dosko grinder can be used to remove many tree stumps and exposed root systems close to ground level. By moving the blade in sweeping movements laterally over the top and front of the stump, you can gradually grind it away. Make sure you completely read and understand this manual before using the grinder for the first time. If you have any questions, contact your retail or rental dealer or Dosko Customer Service at 1-800-822-0295.

⚠ WARNING: Never attempt to cut on a slope exceeding 15°.

Exercise caution when cutting stumps on an incline, as the machine may shift or slide unpredictably. Never attempt to cut with the machine uphill or downhill from you as it may slide toward you or you may fall toward the machine. Cut only on a slope from the side.

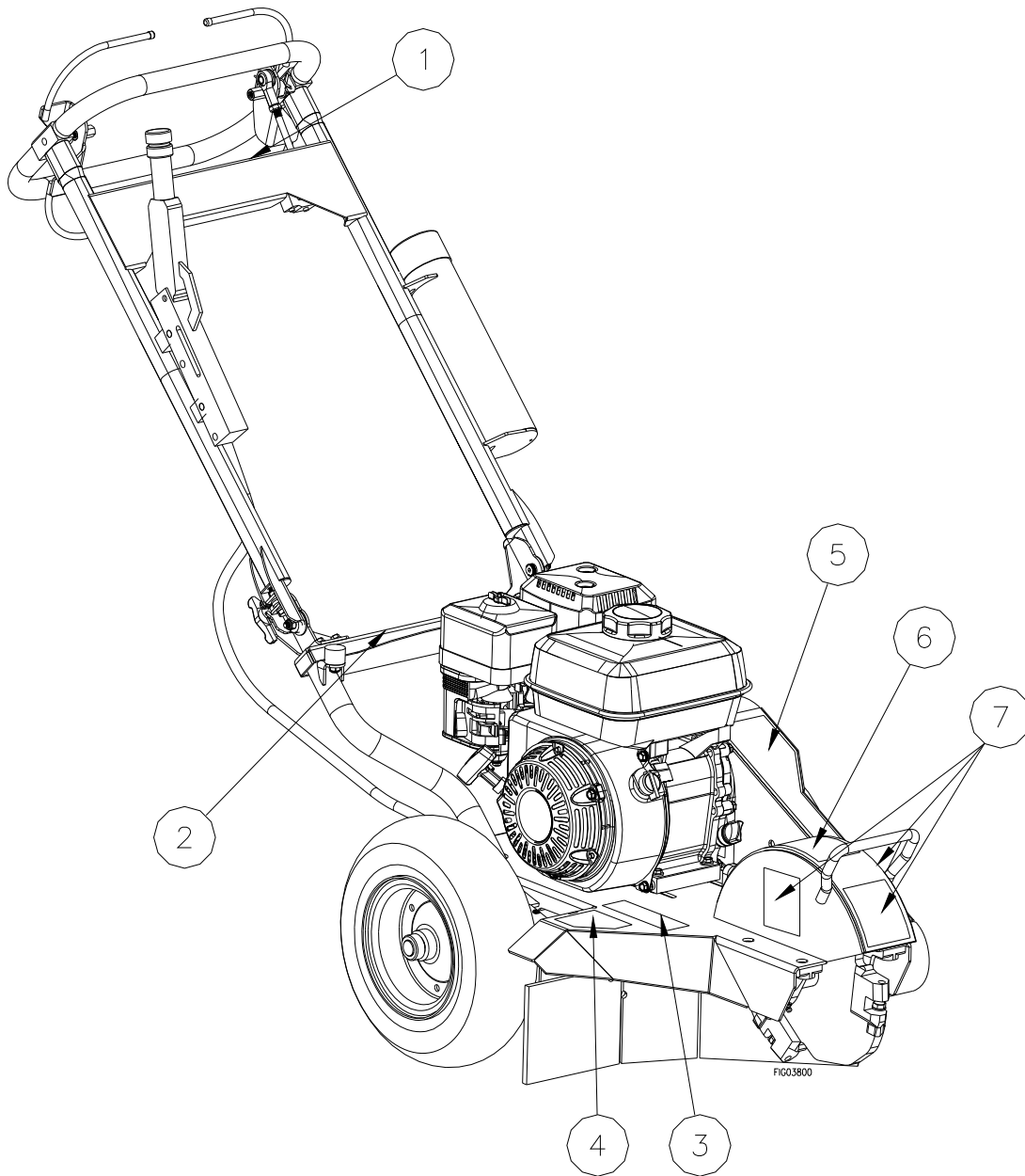
Dosko is constantly improving its products. The specifications outlined herein are subject to change without prior notice or obligation. The purchaser and/or user shall assume liability for any modification and/or alterations of this equipment from original design and manufacture.

Contact Dosko Customer Service at 1-800-822-0295 for any questions about the appropriate use of this grinder or about optional accessories.

Warranty Registration

Please fill out and submit the warranty registration card so that we have your contact information for any future product literature or replacement parts you may need.

Safety Decal Locations


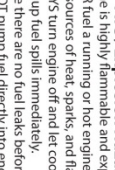
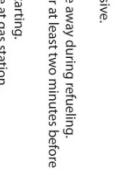


Reference #	Part #	Description
1	786100 decal set	Control Panel
2		California Proposition 65 Warning
3		Poisonous Gas Hazard
4		Flying Debris Hazard (direction)
5		Personal Injury / Fire, Explosion / Entanglement Hazards
6		Flying Debris Hazard (person)
7		Amputation and Entanglement Hazard

⚠ WARNING

ALWAYS make sure safety labels are in place and in good condition. If a safety label is missing or not legible, order new labels.

Safety Decals

⚠ WARNING	⚠ WARNING	⚠ WARNING	⚠ CAUTION
			
<p>Fire / Explosion Hazard</p> <p>Gasoline is highly flammable and explosive.</p> <ul style="list-style-type: none"> - NEVER fuel a running or hot engine. - KEEP sources of heat, sparks, and flame away during refueling. - ALWAYS turn engine off and let cool for at least two minutes before refueling. - Clean up fuel spills immediately. - Ensure there are no fuel leaks before starting. - DO NOT pump fuel directly into engine at gas station. 	<p>Fire Hazard</p> <p>Hot exhaust fumes from engine can cause fire.</p> <p>Position muffler at least 7 feet from combustible objects, including vegetation and clothing.</p> <p>Do not change or add to exhaust system, fuel tanks, or fuel lines.</p> <p>Fire can result.</p>	<p>Entanglement Hazard</p> <p>NEVER remove guards or shields.</p> <p>NEVER operate this machine when wearing loose clothing, scarves, or gloves with large loose cuffs or holes.</p> <p>ONLY operate with proper guarding of power transmission system, including all rotating shafts, pulleys, belts, & couplings.</p>	<p>Personal Injury Hazard</p> <p>Never attempt to use this machine without proper personal protection.</p> <p>When using this machine, you must wear the following:</p> <ul style="list-style-type: none"> * Eye protection * Ear and hearing protection * Heavy duty work gloves * Sturdy, non-slip footwear * Heavy duty, tight fitting clothing

5

Precautions Before Starting:

1. Check gas and oil levels.
2. If unfamiliar with operation, training information (an Operator's Manual) can be obtained from your rental manager or distributor.
3. Your rental firm may also have a video which demonstrates proper use.
4. Wear eye, face and hearing protection as well as long pants and non-slip footwear.
5. Use of the stump grinder requires considerable strength and endurance. It should be operated only by an adult who has adequate physical capability.
6. Keep children away.
7. Replace worn or unreadable labels.

Special Operator Hazards:

1. Read & follow operator's manual before using.
2. Before adding fuel, stop the engine. Allow engine to cool for 2 minutes before refueling.
3. Do not pump fuel directly into engine at gas station. Static charge can build & ignite fuel.
4. Blade rotator at speeds similar to a rotary lawn mower & will throw stones, chips, & debris up to 75 ft in any direction. Besides keeping bystanders 75 ft away, protect windows, autos or any object which might be damaged by the rock type projectiles this machine will throw.
5. Never operate without shields and covers in place.

To Start Your Stump Grinder:

1. Turn the gasoline line valve to the ON position.
2. Turn Switch located on engine to the ON position.
3. Engage choke if cold. If hot do not use choke.
4. Grip Operator presence Bar & Handle together in left hand.
5. Pull Start cord with right hand several times until engine starts.
6. If engine does not start turn choke off and pull Start cord several more times.
7. If engine still does not start, repeat steps 3-6.

BRAKE LEVER

OFF
ON

KEEP BRAKE ENGAGED except when changing locations.

STOP engine & SET Brake before leaving operator's position.

1

CALIFORNIA
PROPOSITION 65 WARNING

EXPOSURE HAZARD. Engine exhaust, some of its accessories, and certain vehicle components, including battery posts, terminals & related accessories, contain or emit chemicals known to the State of California to cause cancer, birth defects, or other reproductive harm.

2

⚠ WARNING

Poisonous Gas Hazard

This product gives off carbon monoxide, a poisonous gas that can kill you. You CANNOT smell it, see it, or taste it.

- NEVER use in enclosed spaces EVEN if you run a fan or open doors and windows.
- Only use OUTSIDE and far away from windows, doors, and vents.

See product manual for more details.

3

⚠ WARNING

Flying Debris Hazard



*Flying debris can travel up to 75 feet.

- * Flying debris can also bounce off of this shield and hit nearby objects.
- * NEVER allow anyone in DANGER ZONE while grinding.
- * ALWAYS position machine to protect property (such as buildings and vehicles) from flying debris.
- * Rubber shielding is intended to direct discharge to protect operator's lower extremities.
- * Wear long pants and closed shoes, as well as eye and face protection.
- * Replace if shielding is worn or damaged.

6

⚠ WARNING

Flying Debris Hazard

* Stones, chips, and debris can cause serious injury or property damage.

- * Primary chip discharge is in the direction of the arrow.
- * However debris can fly 75 ft in any direction out the chute and bounce off objects and hit operator or bystanders.



4

⚠ WARNING

Amputation & Entanglement Hazard
Rotating Cutter



Keep hands and feet away.

Contact with rotating teeth will cause serious personal injury.

NEVER operate without guards and covers in place.

7

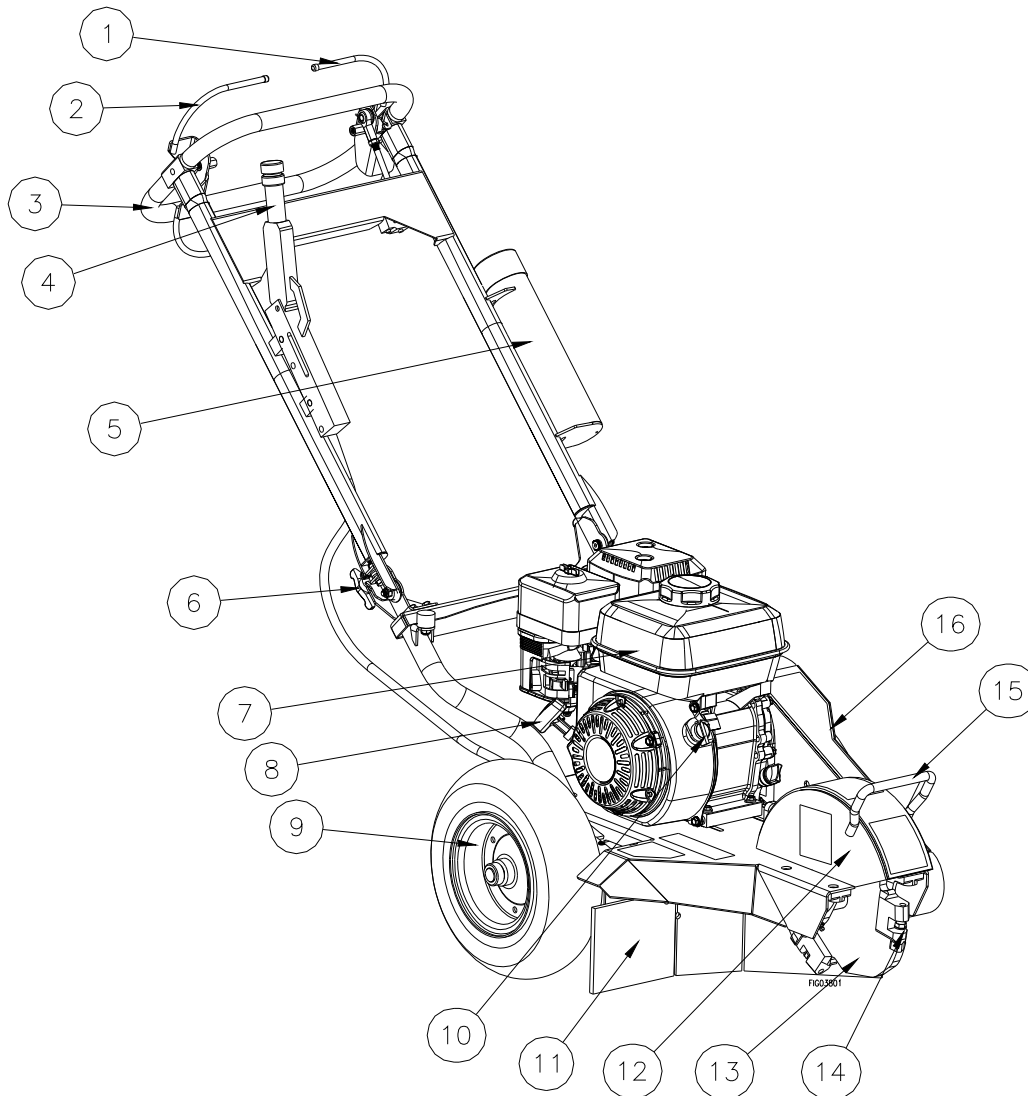
To order replacement safety labels, call Dosko Customer Service at 1-800-822-0295.
All grinder units can be transported via trailers or with the purchase of an optional towing kit package can be towed behind the vehicle.

Receiving Your Unit

1. Receiving Your Unit

For all Units	<p>You should inspect the grinder immediately after you receive delivery. See the "<i>Machine Component Identification</i>" section of this manual for a diagram of the grinder and its components.</p> <ul style="list-style-type: none"> • If you have <i>missing</i> components, contact your rental company or Dosko Customer Service at 1-800-822-0295.
New Unit: Truck Delivery	<p>Depending on your unit and model, it may have been shipped on a wooden skid, cardboard container or other appropriate method.</p> <ul style="list-style-type: none"> ◆ For any shipping damage, make sure the delivery driver acknowledges it and a claim is filed with the freight delivery company. <p style="text-align: center;">Note: <i>Shipping damage claims are not covered by Dosko warranty. Please contact carrier!</i></p> <ul style="list-style-type: none"> ◆ If any assembly is required. Separate assembly instructions will be included.
New Unit: From a Dealer	<p>Your unit should have been delivered completely assembled and ready to run. Read the "<i>Pre-Start Checklist & Procedures</i>" section, and verify that the unit has been properly "prepped" before initial use.</p>
Factory Delivery	<p>In these cases, your unit has been completely assembled, tested and pre-run. It should be ready for usage. See "Pre-Start Checklist and Procedures".</p>

Machine Component Identification



Reference #	Description
1	Operator Presence Handle Bar
2	Throttle Control Lever
3	Handle Bar
4	Adjustable Brake Lever
5	Manual Storage
6	T-Handle Knob
7	Engine
8	Starter Grip
9	Tire and Hub
10	Engine On/Off Switch
11	Discharge Flap
12	Cutter Guard
13	Cutter Wheel Disc
14	Cutting Tooth
15	Front Handle
16	Belt Guard

Operation

1. Pre-start Check List & Procedures

▲ CAUTION:

Add engine crankcase oil. A new engine is shipped without oil. You must add the correct amount of oil to engine crankcase or engine will be damaged beyond repair.

Before starting the engine you will want to make sure you have completed the following:

1. **Marking Underground Utilities**
2. **Checking Controls**
3. **Checking Cutting Teeth**
4. **Checking/Adding Oil**
5. **Filling Stump Grinder Gasoline Tank**
6. **Inspecting Fuel System for Leaks**
7. **Locking Handle Bar**
8. **Wearing Personal Protection**
9. **Trimming Stump with Saw**
10. **Clearing Area of People and Objects**
11. **Working During Daylight**

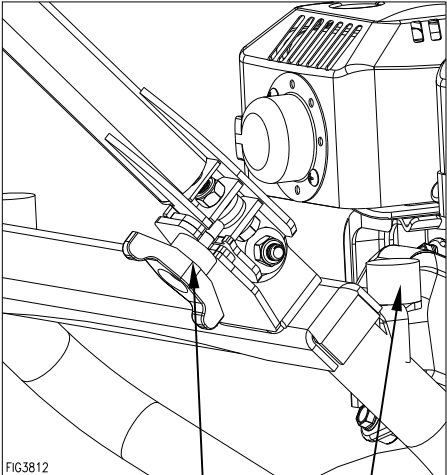
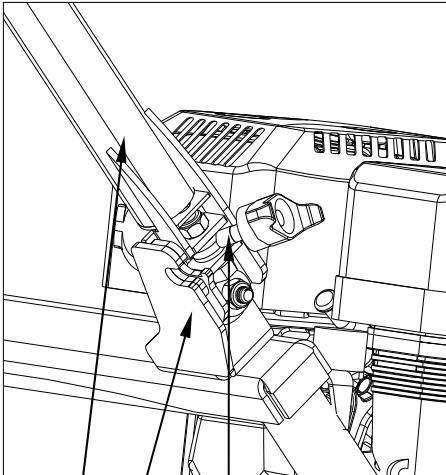
Each of these procedures is discussed in detail below.

Marking Underground Utilities	Call 811 or your local utility company to request marking utilities 3 days before stump grinding. Trees can grow on top of and around underground wiring that was installed many years before a tree was planted.
Check controls.	<p>Check that:</p> <ul style="list-style-type: none"> • All guards are in place and tight. • Operator presence bar switch is free moving. • Inspect tires and rims for looseness, damage, and tire inflation.
Check cutting teeth	Inspect cutting teeth for tightness and sharpness. Only use factory-approved parts for repair.
Check/add oil	<p>Check the oil level using the dipstick and add oil as needed.</p> <p>Using a funnel, add oil up to the FULL mark on the dipstick with the recommended oil type for your engine and expected ambient conditions. (See engine Owner's Manual for oil type and capacity, and more detailed oil check/fill instructions.)</p> <p>▲ WARNING: Burn hazard Never open oil fill port while engine is running. Hot oil can spray over face and body.</p>

Operation

<p>Fill stump grinder gasoline tank</p>	<p>Check the gasoline level in the engine's fuel tank. If needed, fill tank with fresh unleaded gasoline from a portable container, after first reading the warnings and instructions below.</p> <ul style="list-style-type: none"> - Do NOT fill the gas tank to the top. Gasoline may spill when operating on a slope. - Do NOT overfill the gasoline tank. Allow at least 1" of empty space below the fill neck to allow for fuel expansion. <p>⚠ WARNING: Gasoline fire/explosion hazard Gasoline is highly flammable and explosive. Heat, sparks, and flames can ignite gasoline vapors, which can become widespread during fueling. A flash fire ignition and/or explosion could result and cause serious injury or death. The following conditions could result in gasoline ignition/explosion:</p> <ul style="list-style-type: none"> • gas vapor collection inside enclosures • static electric sparks • sparks from electric wiring, batteries, or running engines • sources of heat (such as a hot engine or exhaust) • open flames, including pilot lights
<p>Inspect Fuel System / Check for Leaks</p>	<p>Inspect fuel system & check for leaks BEFORE starting grinder.</p> <p>⚠ WARNING: Fuel leak hazard A leaking fuel line no matter how small can be the source of a fire or explosion when starting or operating the engine.</p> <ul style="list-style-type: none"> • Inspect the entire fuel system. <i>Look for:</i> Signs of leaks or deterioration, chafed or spongy fuel hose, loose connections, loose or missing fuel hose clamps, damaged gasoline tank, or defective gasoline shut-off valve. <p>If grinder is in an enclosed area and you smell gas, DO NOT start engine! DO NOT light a match. DO NOT flip on an electrical switch. Exit area immediately leaving doors open and call fire department.</p>
<p>Locking Handle Bar</p>	<p>Handle is capable of folding when not in use. To lock handle into place:</p> <ul style="list-style-type: none"> • Position T-handle knob and eyebolt so it is on the back side of the hinge bracket. • Tighten T-handle knob finger tight. • Repeat on other side <p>To fold handle:</p> <ul style="list-style-type: none"> • Turn T-handle knob counterclockwise to loosen. • Swing knob and eyebolt to the outside, on both sides of handle. • Carefully fold handle downward until it comes in contact with the rubber stops.

Operation

	<div style="display: flex; justify-content: space-around;"> <div style="text-align: center;"> <p>Locked Position</p>  <p>FIG3812</p> </div> <div style="text-align: center;"> <p>Unlocked Position</p>  </div> </div>
<p>Personal Protection</p>	<p>Use approved protective clothing and approved protective equipment when using the machine.</p> <ol style="list-style-type: none"> 1) Always wear ANSI-approved and OSHA-compliant safety glasses with side shields and a full-face shield. 2) The use of ear plugs or other hearing protection device is also recommended for persons working within 15-20 feet of the running grinder for longer than a few minutes. Hearing can be damaged from prolonged, close-range exposure to the type of noise produced by this grinder. 3) Wear long pants to protect legs from sparks, hot engine and flying debris. 4) Never wear jewelry or loose-fitting clothing when starting or operating the grinder or any mechanical device. Loose or dangling apparel, jewelry or hair can become entangled in moving parts.
<p>Trim Stump with Saw</p>	<p>Cut or trim the stump preferably to ground level using a power saw.</p>
<p>Clear Area</p>	<p>Dig away the earth and remove any stones near the tree stump or roots that may interfere with your work.</p>
<p>Work During Daylight Hours</p>	<p>Only use the machine in daylight or in well-lit conditions. Never operate the grinder after dark.</p>

Operation

2. Starting the Grinder

After you have completed the pre-start checklist and procedures, you are ready to start the grinder.

The following directions detail how to start the engine of your grinder.

⚠ WARNING:

Never attempt to use the grinder without proper protective equipment, particularly eye protection and a full-face shield.

To start the grinder:

Note: For additional engine starting instructions see your Honda engine manual.

- 1) Lock handle in the upright position.
- 2) Place stump grinder into position with cutting wheel near the front-top edge of the stump.
- 3) Use brake lever on handle to lock the wheel brake.

Note: For tighter brake adjustment, turn knob on top of brake lever. (See Maintenance & Repair sections for instructions)

⚠ WARNING:

Stay in the OPERATOR POSITION (behind the machine) while actuating controls. Never leave grinder unattended.

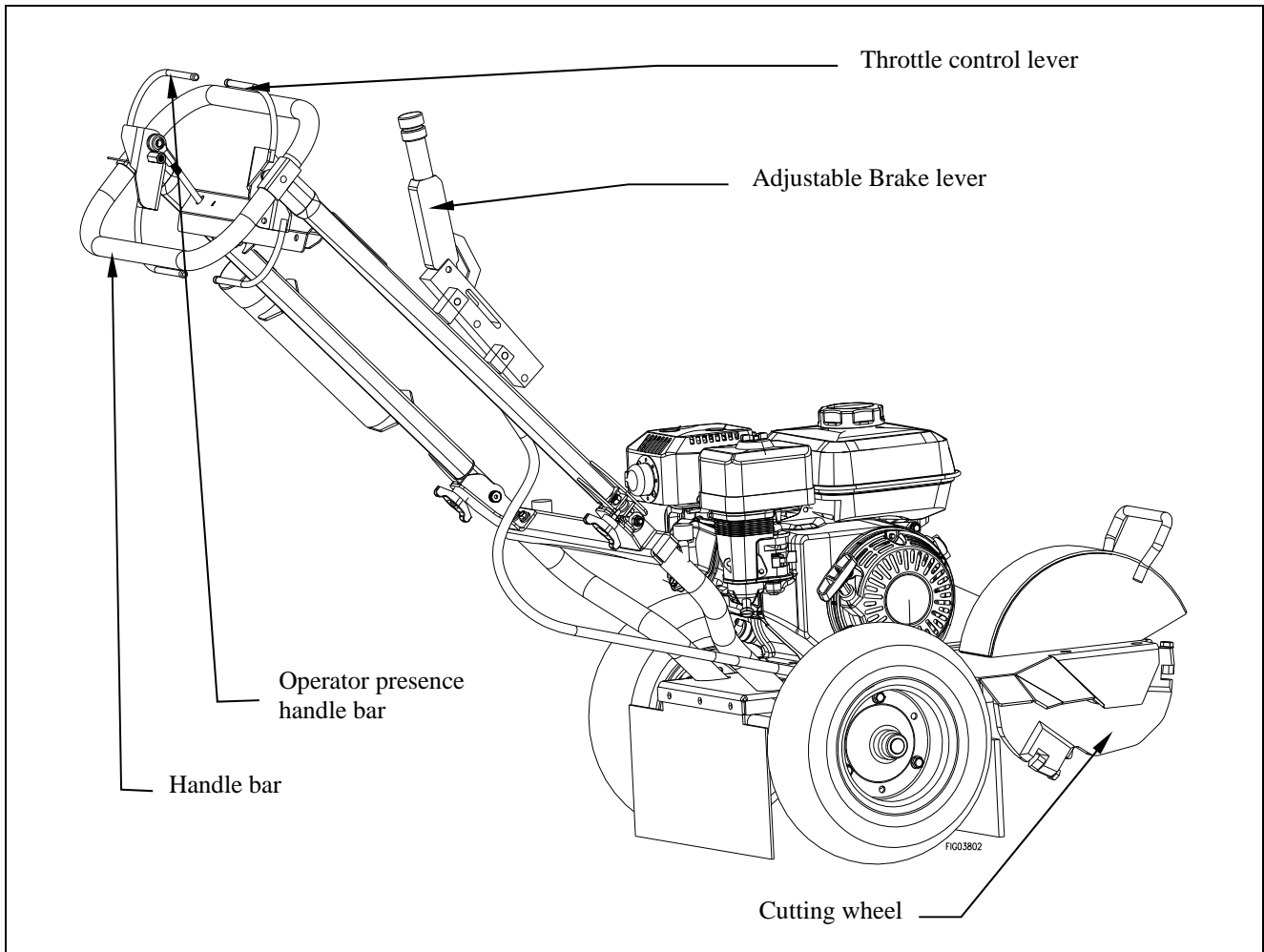
- 4) For cold engine, move choke lever to the CLOSED position. To restart a warm engine, leave choke lever in OPEN position.
- 5) Turn engine switch to the ON position.
- 6) Grip operator presence bar and handle bar together in left hand.

⚠ WARNING:

A rotating cutting wheel is very dangerous. Stay at the controls and keep others away until you are sure the blade has come to a complete stop.

- 7) Pull the starter grip lightly until you feel resistance, then pull briskly. Return the starter grip gently. If the choke lever was moved to the CLOSED position to start the engine, gradually move it to the OPEN position as the engine warms up.
- 8) If engine does not start, repeat steps 5-7.
- 9) Press down on handle bar to lift cutter wheel off the ground.
- 10) Grip throttle control lever and handle bar together in right hand. Centrifugal clutch will engage and cutter wheel will begin to rotate.

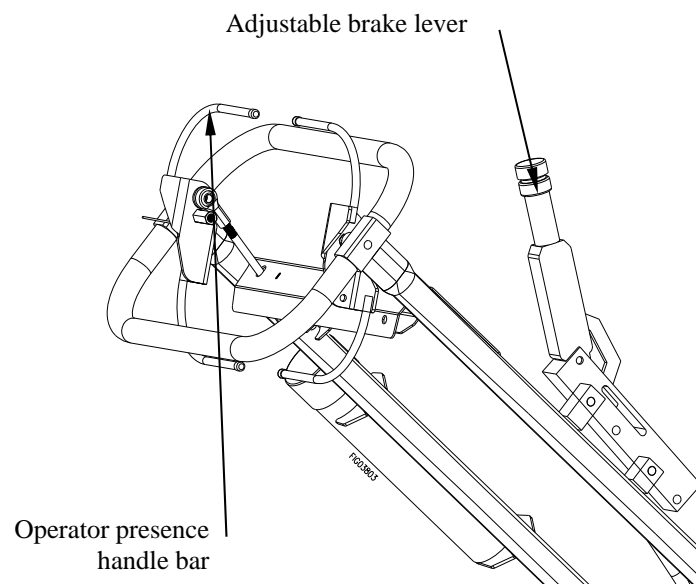
Operation



3. Stopping the Engine

Stop the engine using the following steps:

1. While holding blade off ground, release the operator presence bar. The engine will stop. Wait until the blade completely stops. Lower the blade so it is resting against the ground.
2. Make sure brake is set before leaving the controls, particularly if you are on an incline.
3. Turn engine switch to OFF position.
4. Allow the engine to cool for at least 5 minutes before releasing brake and moving to storage or transporting. A hot engine can be a fire hazard.



Operation

4. Grinding the Stump

▲ WARNING: Flying Debris Hazard

Stones, chips, and debris can cause serious injury or property damage. Debris can fly 75 ft in any direction out of the chute. They can bounce off any fixed objects as well and hit operator, bystanders or breakable objects.

1. Set/engage the brake.
2. Pivot the grinder toward the side of the stump, with a fairly light touch feed straight into the stump. As soon as you feed in, start to swing to the side until you feel the wheel drop off the edge of the stump. Change direction and swing back the other way until you feel it reach the other edge of the stump. As you swing to the side listen to the engine. Provide enough feed to give it a moderate load. If you hear any belt or clutch squealing you are pushing too hard. If you can't swing it to the side, raise the grinder up.

You can cut roots off by plunging straight through them.

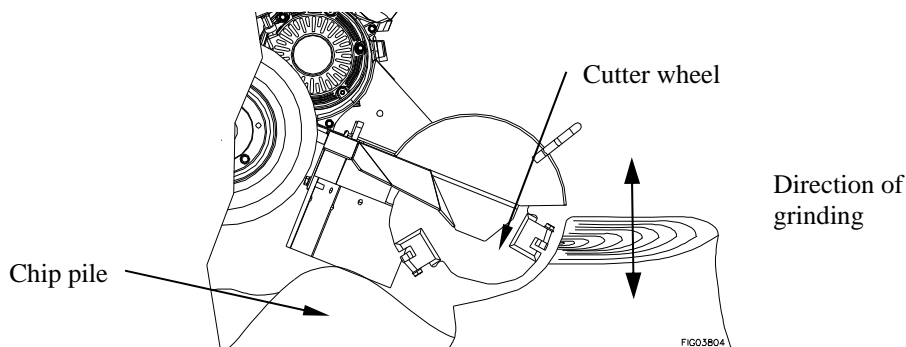
▲ WARNING: Rotating cutter wheel.

Keep hands and feet away. Contact with wheel rotating teeth will cause serious personal injury.

M1® Blueshark™ teeth are available in Standard Tooth (Solid Black), Sand & Clay Tooth (Red Dot) or in a Rock Tooth Version (With Gold Dot). The Rock Tooth is a better choice if you are experiencing chipping in Rocky Areas.

Chip Build-up

3. When grinding larger stumps, chips may begin to build up under the wheels.
4. Release brake and pull machine towards you so that the "chip pile" is directly under the cutting wheel.
5. Drop cutter wheel down on "chip pile", material will be discharged from machine area.

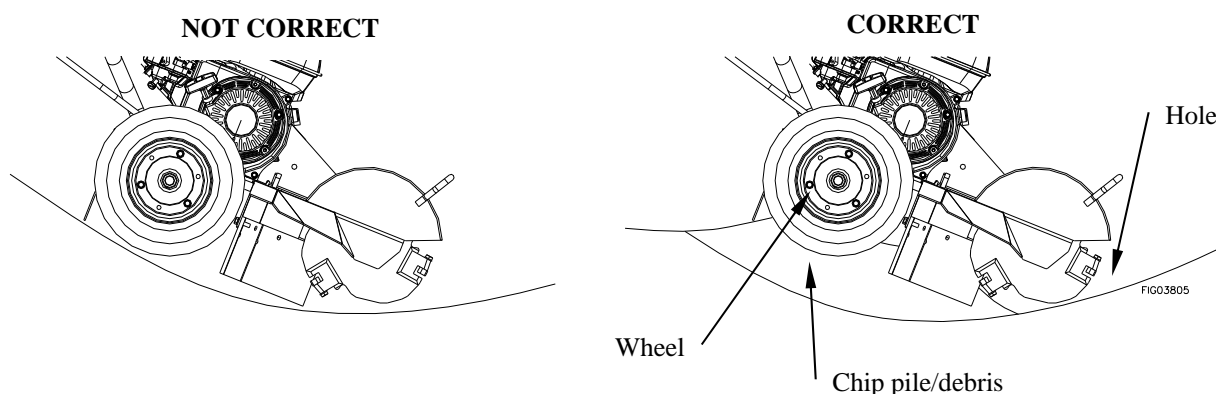


▲ WARNING: Flying Debris Hazard

Stones, chips, and debris can cause serious injury or property damage. Debris can fly 75 ft in any direction out of the chute and bounce off objects and hit operator, bystanders or breakable objects.

Operation

6. On these larger stumps, DO NOT allow grinder wheels to drop into stump hole. If a hole is in the way of your progress, fill it with chips or change position.



▲ WARNING:
Stop engine and set brake before leaving operator's position. KEEP BRAKE ENGAGED except when changing locations.

7. When finished, stop the machine.
8. Pull machine away from stump, and rake chips away from stump.

5. Refueling

- 1) Before removing gas cap, turn engine off and allow to cool for at least two minutes.
Note: A running or hot engine can ignite fuel.
2) Remove grinder gasoline cap.
3) Add gasoline through the fill opening:
- Use only an UL-approved portable gasoline container to transfer the gasoline to the grinder's tank.
 - Be aware of safety warning and instructions below for avoiding static electric caused fires.
 - Do not overfill.

▲ WARNING:
Static electric spark hazard
A static electric spark can explosively ignite gasoline vapor, resulting in a flash fire that could cause serious injury or death. See "Special Safety Information on Static Electricity" at end of this manual.

- 4) Clean up gasoline spills /splashes immediately.
- If possible, move the grinder away from spilled gasoline on the ground.
 - Wipe up spilled gasoline, and wait 5 minutes for excess gasoline to evaporate before starting engine.
 - Gasoline soaked rags are flammable and should be disposed of properly.
 - If gasoline is spilled on your skin or clothes, change clothes and wash skin immediately.

Operation

- 5) Replace gasoline cap securely before starting engine.
- 6) Store extra gasoline in a cool, dry place in an UL-approved, tightly sealed container.
- 7) Filling towable units or portable containers at service stations:

Even if you have a towable unit, avoid static electric sparking while filling the gasoline tank:

- Never fill the grinder's gas tank directly from the fuel pump. The grinder's tank is not grounded and high velocity flow from the pump can cause static electricity build-up. Use an approved portable container to transfer gas to the grinder's tank.
- Use a portable container made of metal or conductive plastic. This is preferred because it dissipates static charge to ground more readily.
- Never fill a portable gas container while it is sitting inside a vehicle, trailer, trunk, or pick-up truck bed. ALWAYS place container on the ground to be filled.
- Keep nozzle in contact with container while filling. Do not use a nozzle lock-open device.

6. Storing the Machine

When you are finished using the grinder and it has cooled, you must:

- Cool engine before storage.
- Clean the grinder.
- Inspect for worn or damaged parts.
- Choose covered storage location.
- Prevent accidental starting.
- Plan on exercising the engine at least monthly unless the grinder is prepared for long-term storage.

Detailed instructions are provided below.

Cool engine	Let engine cool for at least five minutes before storing. A hot engine can be a fire hazard.
Clean grinder	Clean all grease, dirt, mud and other foreign matter from the machine. Touch up paint damage to prevent rust.
Inspect grinder	Inspect the machine for worn or damaged parts and tighten any nuts or screws that may have become loose. Pay particular attention to the cutting teeth.

Operation

<p>Choose a storage location</p>	<p>Store the grinder in a location that is:</p> <ul style="list-style-type: none"> - Clean and dry. - Away from sources of heat, open flames, sparks, or pilot lights, even if the grinder's gas tank is empty. Residual gasoline could ignite. - Away from extreme high or low temperatures. - Cover it for extra protection.
<p>Remove spark plug</p>	<p>Remove remove spark plug, in order to ensure the grinder cannot be started in a storage location or by untrained persons or children.</p>
<p>Start grinder every 4 weeks</p>	<p>The grinder should be started regularly. At least every four weeks, start the engine and let it run for 10 to 15 minutes.</p> <p>Monthly exercising of the grinder will dry out any moisture that has accumulated, lubricate cylinders, and clean out old gas in the carburetor. Moisture, old gas, and dry mechanical parts cause deterioration in stored engines.</p>
<p>Prepare engine for long term (seasonal) storage if needed</p>	<p>If you will not be able to start the grinder regularly, you must prepare the engine for long term storage to prevent gum deposits from forming and causing malfunction of the engine.</p> <p>Prepare engine for long term storage by:</p> <ul style="list-style-type: none"> ○ Removing all gasoline from the tank and carburetor <li style="text-align: center;"><u>OR</u> ○ Adding fuel stabilizer to the gasoline (following manufacturer's instructions) <p style="margin-left: 40px;"><u>Fuel stabilizer steps:</u></p> <ol style="list-style-type: none"> 1. Ensure gas tank is full. 2. Add fuel stabilizer to fuel tank. 3. Run engine at least 10 minutes after adding stabilizer to allow it to enter the fuel system. 4. Shut off engine 5. Disconnect spark plug wire and remove spark plug 6. Add one teaspoon oil through spark plug hole 7. Place rag over spark plug hole and turn starter (or pull the recoil) a few times to lubricate the combustion chamber. 8. Replace spark plug, but do not reconnect the spark plug wire. <div style="background-color: #e0e0e0; padding: 5px; margin-top: 10px;"> <p>⚠ WARNING: Gasoline fire/explosion hazard Gasoline is highly flammable and explosive. Drain the fuel into an approved container OUTDOORS and far away from open flame. NEVER store an engine with fuel in the tank indoors or in poorly ventilated spaces where fuel vapor can come in contact with</p> <ul style="list-style-type: none"> • static electric sparks • sparks from electric wiring, batteries, or running engines • sources of heat (such as a hot engine or exhaust) • open flames, including pilot lights </div>

Specifications

	2961090
ENGINE OPTIONS	
Make	Honda
Model	GX200UTQX2
CC Rating	200cc
GENERAL	
Weight	134 lbs. (61 kg)
Length /{folded}	56"/{36"}, 142 cm/{92 cm}
Height /{folded}	45"/{23"}, 114 cm/ {59 cm}
Width	23" (58 cm)
RPM Operating	3600 RPM
Type of Fuel	Gasoline
Starting	Recoil
Oil Sensor	Yes
CUTTER WHEEL	
Diameter	10.5" (27 cm)
Thickness	1/2" (1.27 cm)
Bearings (Dia.) (2)	1" (2.5 cm)
Teeth (3), carbide tips	M1® Blueshark™
	1" dia. (2.5 cm)
	0.2" thick (0.508 cm)
Cutter Wheel RPM	4700 RPM
Drive	Direct Belt Drive
	AX37 Gates belt
	1600 Series Noram Clutch
CUTTING CAPACITY	
Above Grade	10" (25 cm)
Below Grade	9" (23 cm)
Stump Diameter	No Limit
Replacement tooth sets	Part # 786403 – Black (standard)
	Part # 786462 – Red (sand & clay)
	Part # 786461 – Gold (rock)
GROUND TRAVEL	
Transportation	Push/Pull Type, Non-towable
Drive	Wheel Hub
	12.5", 410-350 x 6
Brake	Adjustable Brake Band

Summary of Important Safety Information

This section provides a summary of the various safety procedures and measures that have been presented throughout the manual. Keep this summary handy and refer to it to refresh your memory about how to safely use your grinder.

WARNING

Carefully read and make sure you understand the following safety information before using the grinder. Improper use or maintenance of the grinder can result in ***serious injury or death*** from ***fire/explosion, carbon monoxide poisoning, lacerations, entanglement or burns***. Damage can also occur to windows, siding, vehicles, and bystanders from chips and debris which can become projectiles.

General

- **Read manual.** Read this Owner's Manual and the engine Owner's Manual completely before attempting to use and service the grinder. Serious injury or death can result if safety instructions are not followed.
- **Instruct operators.** The grinder owner or rental company must instruct all operators in safe grinder set-up and operation. Do not allow anyone to operate the grinder who has not read the Owner's Manual and been instructed on its safe use. Make sure Owner's manual is within the attached storage tube on the grinder.
- **Adults only.** Only trained adults should operate and service the grinder. Do not let children operate.
- **Under the influence.** Never operate, or let anyone else operate, the grinder while under the influence of alcohol, drugs, or medication.
- **Intended use.** Carefully read about and understand the intended use of this grinder. Do not use for other purposes, as unforeseen hazards or equipment damage may result.
- **Controls and safety labels.** Learn how to use the machine and its controls safely. Understand and follow all safety labels.
- **Weather.** Never use in foul, bad or questionable weather, which causes a slippery ground condition.

Prohibition Against Modifications

Never modify or alter the grinder in any way. Modifications can create serious safety hazards and will also void the warranty.

- **Fuel/exhaust system.** Never modify the exhaust system, fuel tanks, or fuel lines. Carbon monoxide poisoning, fire, or explosion could result.
- **Guards.** Do not operate grinder unless all guards and cover shields, which prevent access to moving parts and pinch points, are in place. Failure to guard the power transmission mechanisms *may result in serious injury or death*.

Safety – Before Use

Know how to operate

- **Review safety rules.** Before use of this grinder, review the "Rules for Safe Operation."
- **Know how to operate.** Be thoroughly familiar with all controls and with the proper use of the equipment. Know how to stop the grinder quickly if needed.
- **Utility marking.** Call 811 for utility marking 3 days before stump grinding. Trees can grow on top of and around underground wiring that was installed many years before a tree was planted.

Getting Ready

- **Flying debris.** Clear area of objects such as stones, toys, steel wire, etc. that could become caught in moving machine parts and ejected as a projectile.
- **Operate OUTSIDE only – dangerous carbon monoxide exhaust!** Grinders give off carbon monoxide exhaust, a poisonous gas that can kill. You CANNOT smell it, see it, or taste it. ONLY run grinder OUTDOORS and away from building air intakes. NEVER run grinder engine inside homes, garages, sheds, or other semi-enclosed spaces. These spaces can trap poisonous gases.
- **Cooling ventilation.** The grinder needs adequate, unobstructed flow of air to allow for proper cooling of engine and grinder head. Do not allow debris to accumulate and block airflow.

Summary of Important Safety Information (cont'd)

- **Transporting.** During transporting, take precautions to make sure stump grinder will not tip over and cause a fuel leak hazard.
- **Hot exhaust - fires.** Exhaust from engine can be extremely hot and cause fire. Position muffler at least 7 feet from combustible objects during operation.
- **Fire extinguisher.** Keep a fire extinguisher rated "ABC" by the National Fire Protection Association nearby is always recommended when using gasoline operated machinery. Keep it properly charged and be familiar with its use.

Personal protective equipment

- **Hearing protection.** The use of ear plugs or other hearing protection device is recommended for those in close proximity to the grinder while it is operating.
- **Eye protection.** Wear ANSI approved eye protection when operating the grinder.
- **Face protection.** A helmet with a full face visor or mesh visor with protective glasses is recommended.
- **Loose / dangling.** Loose or dangling apparel, jewelry or hair can become entangled in moving parts. Never wear jewelry or loose-fitting clothing when operating the grinder.
- **Long pants.** Wear long, heavy-duty pants to protect legs from ejected materials.

Gasoline Safety

Gasoline is highly flammable and explosive. You can be burned or seriously injured when handling fuel. Use extreme care when handling gasoline:

- **Fuel outdoors.** Fill fuel tank outdoors – never indoors. Gasoline vapors can ignite if they collect inside an enclosure. Explosion can result.
- **Use approved container.** Never pump fuel directly into engine at gas station. Static charge can build and ignite fuel. Use an UL approved fuel container to transfer gas to the engine.
- **Running / hot engine.** A running engine is hot enough to ignite fuel. Never add fuel or remove gas cap if engine is running or still hot. Stop the engine and allow to cool at least two minutes before adding fuel.
- **Heat / flames / sparks.** Keep sources of heat, flame, or sparks away while adding fuel.
- **Don't fill to the top** DO NOT overfill the gas tank. Allow at least 1" of empty space below the fill neck to allow for fuel expansion and operation on slopes.
- **Don't fill to the top.** Do not fill the gas tank to the top. Gasoline may spill when operating on a slope.
- **Replace cap.** Replace gas cap securely before starting engine.
- **Spills.** Clean up fuel spills immediately. Move grinder away from spilled fuel on the ground. Wipe fuel off engine and wait 5 minutes for excess fuel to evaporate before starting engine. Gas soaked rags should be disposed of properly.
- **On skin / clothes.** If gasoline is spilled on your skin or clothes, change clothes and wash skin immediately.
- **Inspect fuel system.** Check fuel system on a regular basis. Look for signs of leaks, deterioration, chafed or spongy fuel hose, loose or missing fuel hose clamps, damaged fuel tank, or a defective fuel shut-off valve. Do not start grinder until needed repairs have been completed.
- **Gasoline storage.** Store gasoline in a cool, dry place in an UL-approved, tightly sealed container away from children.

Safety – During Use

- **Safety equipment / controls.** Always operate the grinder with all safety covers, guards, and barriers in place and in good working order, and all controls properly adjusted for safe operation.
- **Controls.** Stay in the OPERATOR POSITION while actuating controls.
- **Know how to stop.** Know how to stop the grinder quickly if needed by releasing the operator presence bar. If this does not work, do the following in order until unit is stopped. 1. Push the stop button on the control panel. 2. Use on/off switch on engine (or ignition switch on electric start models). 3. Engage full choke by flooding the engine.
- **"Kickback".** Machine can experience significant "kickback" when operating or first coming into contact with the stump.
- **Slipping/Falling.** Operating in wet or icy conditions could lead to losing your footing and slipping or falling.
- **Damaged.** Do not operate the grinder with damaged, missing, incorrectly adjusted, or broken parts.
- **Check for gas leak before starting.** After opening gasoline valve, smell for gas before starting engine. If you smell gas, DO NOT start engine. DO NOT light a match. DO NOT flip on an electrical switch. Exit area immediately and call fire department.
- **Carbon monoxide exhaust.** The running engine gives off carbon monoxide, a poisonous gas that can kill you. You CANNOT smell it, see it, or taste it. If you start to feel sick, dizzy, or weak while using the grinder, shut off the engine and get to fresh air RIGHT AWAY. See a doctor. You may have carbon monoxide poisoning.

Summary of Important Safety Information (cont'd)

- **Other exhaust dangers.** This product contains or emits chemicals known to the State of California to cause cancer, birth defects or other reproductive harm. Avoid inhalation of exhaust.
- **Smoking/sparks.** Never smoke near the running grinder, and never operate near sources of sparks or flames.
- **Hot muffler.** Never touch hot muffler or hot exhaust manifold. Exhaust and engine parts can be very hot and will burn you.
- **Machine's moving parts.** Keep hands, feet, and apparel away from drive belts, cutter wheel, and other moving parts. Never remove any drive belt or guard while the unit is operating. Contact with belt or rotating teeth will cause personal injury.
- **Refueling.** DO NOT refuel the engine until it has cooled at least two minutes.
- **Malfunction during operation.** Always shut the machine off if any unusual noise or vibration occurs.
- **Vibration.** Overexposure to machine vibration on a daily basis may lead to circulatory or nerve damage.
- **Adjusting / repairing.** Always turn off grinder and remove spark plug or spark plug wire before working on the grinder to prevent accidental starting.

Safety – After use

- **Cool engine before storing.** Let engine cool for at least five minutes before storing. A hot engine can be a fire hazard.
- **Shut off fuel supply.** Make sure gasoline shut-off valve is in the OFF position.
- **Prevent accidental starting.** When grinder is not in use, remove key from starter (electric start engines) and secure in a safe location, or remove spark plug in order to ensure that grinder cannot be started in a storage location or by untrained persons.
- **Storage location.** Store the grinder in a dry location away from sources of heat, open flames, sparks or pilot lights – such as water heaters, space heaters, furnaces, clothes dryers, or other gas appliances – EVEN IF the grinder's gas tank is empty. Residual gasoline could ignite.
- **Exercise regularly.** Exercise grinder every four weeks to dry out moisture that accumulates in the windings. If grinder cannot be exercised on a regular basis, prepare grinder for long term storage.

Safety - Inspection/Maintenance

Inspect and maintain your grinder on a regular basis and repair as needed to keep it in safe working condition:

- **Turn off grinder.** Always turn off grinder and remove spark plug or spark plug wire before working on the engine or grinder to prevent accidental starting.
- **Replace guards / shields.** Make sure all guards and shields are replaced after servicing the grinder.
- **Burns.** Do not touch hot muffler. Muffler will be hot even if unit is stopped. Allow unit to cool before servicing.
- **Replacement parts.** If a part needs replacement, only use parts that meet the manufacturer's specifications. Replacement parts that do not meet specifications may result in a safety hazard or poor operation of the grinder and will void the warranty.

Special Safety Information on Static Electricity

Static electricity and filling gasoline:

Static electricity can initiate from ungrounded gasoline tanks or containers, from flowing gasoline, and from persons carrying a static electric charge

Static electricity on numerous occasions has explosively ignited gasoline vapors that were present during fueling processes, resulting in serious burns to nearby persons. To avoid static electricity while fueling, certain steps must be followed before and during the fueling process in order to minimize and safely dissipate static charge build-up.

Filling Portable Containers at Service Stations:

Use a portable container to fill grinder tank. Never fill the grinder's gas tank directly from the service station's fuel dispenser pump – the grinder's tank is not grounded and the high velocity flow of gasoline from a fuel pump can cause static electric build-up. Use an approved portable container to transfer gasoline to the grinder's tank.

- ***Use a portable container made of metal or conductive plastic.*** It will dissipate charge to ground more readily.
- ***Fill container on the ground.*** Never fill the portable gas container while it is sitting inside a vehicle, trailer, trunk, or pick-up truck bed. ALWAYS place container on the ground to be filled.
- ***Touch a grounded metal object before starting.*** Always dissipate static charge from your body before beginning the fueling process by touching a grounded metal object at a safe distance away from fuel sources.
- ***Keep nozzle in contact with container.*** Keep fuel dispenser nozzle in contact with the portable container at all times while filling at a service station. Do not use the nozzle lock-open device on the dispenser hose.

About static electricity and fueling

Many common objects can accumulate and retain a static electric charge. Objects made of non-conductive materials (e.g. plastics) easily accumulate and retain static electric charge, as can objects made of conductive material (e.g. metal, water) if they are not electrically grounded. The static electric charge on an object, such as a human body or plastic fuel tank/container, can reach as high as several thousand volts!

A static electric spark can be generated if the static electric charge stored on an object "jumps" to another, less charged object. Such a spark can ignite invisible gasoline vapors that are present during fueling situations.

Typical sources of static electric hazards during fueling

The following objects can accumulate a static electric charge and cause an ignition spark in typical fueling situations:

- Ungrounded tanks/containers. Any ungrounded fuel tank or container can accumulate a static electric charge as a result of contact with other objects or friction during transportation. This static electricity can discharge as a spark to the grounded gasoline dispenser nozzle, as the nozzle is first brought close to the tank/container at the beginning of the fueling process.
- Flowing gasoline. Most people are not aware that gasoline accumulates static electric charge while flowing through a hose or pipe. This charge then transfers to and accumulates in the gas tank or container that is being filled. The total amount of charge accumulation depends on the amount of gas pumped into the container, the speed with which it is pumped, and whether or not the tank/container is grounded. If sufficient static electric charge accumulates in the fuel tank or container during the fueling process, the tank/container may discharge a spark to the grounded gasoline dispenser nozzle.
- Persons. A person dispensing the gasoline can carry a static electric charge on their body, typically resulting from contact with their car seat or electronics. The static electricity can discharge as a spark between that person's hand and either the grounded dispenser nozzle or the fuel tank opening.